

AQ600

Triple Whole House Systems

Whole House / Commercial use

AQ600 Jumbo Filter Systems are the perfect solution for whole house or small commercial / industrial applications. Large 1" bsp inlet and outlet ports allow high flow rate and capacity performance. These Jumbo housings can use a range of Jumbo filter cartridges to suit your application.

Systems connect to your mains or pumped water supply and are easily maintained and affordable. We recommend cartridges are replaced at a minimum, every 12 months, dependant on application and usage.

Features & Benefits

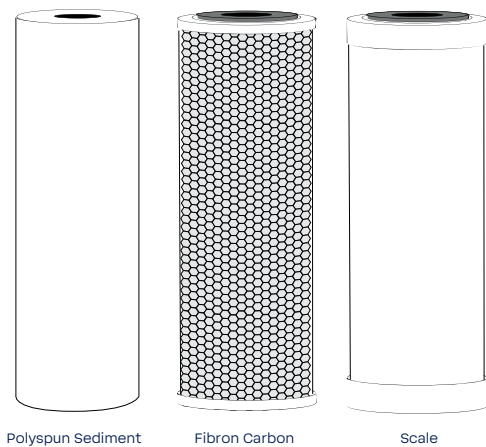
- Includes mounting bracket, screws & spanner
- Housings have a gauge mounting port and a pressure vent
- Various configurations to suit all applications
- Reduces sediment, chlorine, taste / odour depending on filter cartridge selected
- 1" BSPF reinforced inlet / outlet ports



AQUILA CODE	AQ600
CONFIGURATION	Triple Jumbo System
MIN/MAX PRESSURE	100 - 860 kPa
MIN/MAX TEMP	4 - 40° C
CONNECTIONS	Inlet/Outlet 1" BSPF
DIMENSIONS	780mm (H) x 590mm (W)

CARTRIDGES

STAGE 1	Polyspun Sediment
STAGE 2	Fibron Carbon
STAGE 3	Scale Inhibition
FILTER SYSTEM COVER GREY WALL MOUNT ONLY	AQ600C



Polyspun Sediment

Fibron Carbon

Scale



Lead Free
AS 3497
WM-022099
 CATEGORY IV & V

Jumbo Polyspun Sediment Cartridges

CODE	DESCRIPTION	HEIGHT	WIDTH	MICRON	FLOW RATE	APPLICATION
AQP5W20	20" Jumbo Polyspun Sediment	508mm	110mm	5	<30lpm	Mains water
AQP20W20	20" Jumbo Polyspun Sediment	508mm	110mm	20	<30lpm	Mains water
AQP50W20	20" Jumbo Polyspun Sediment	508mm	110mm	50	<30lpm	Mains water

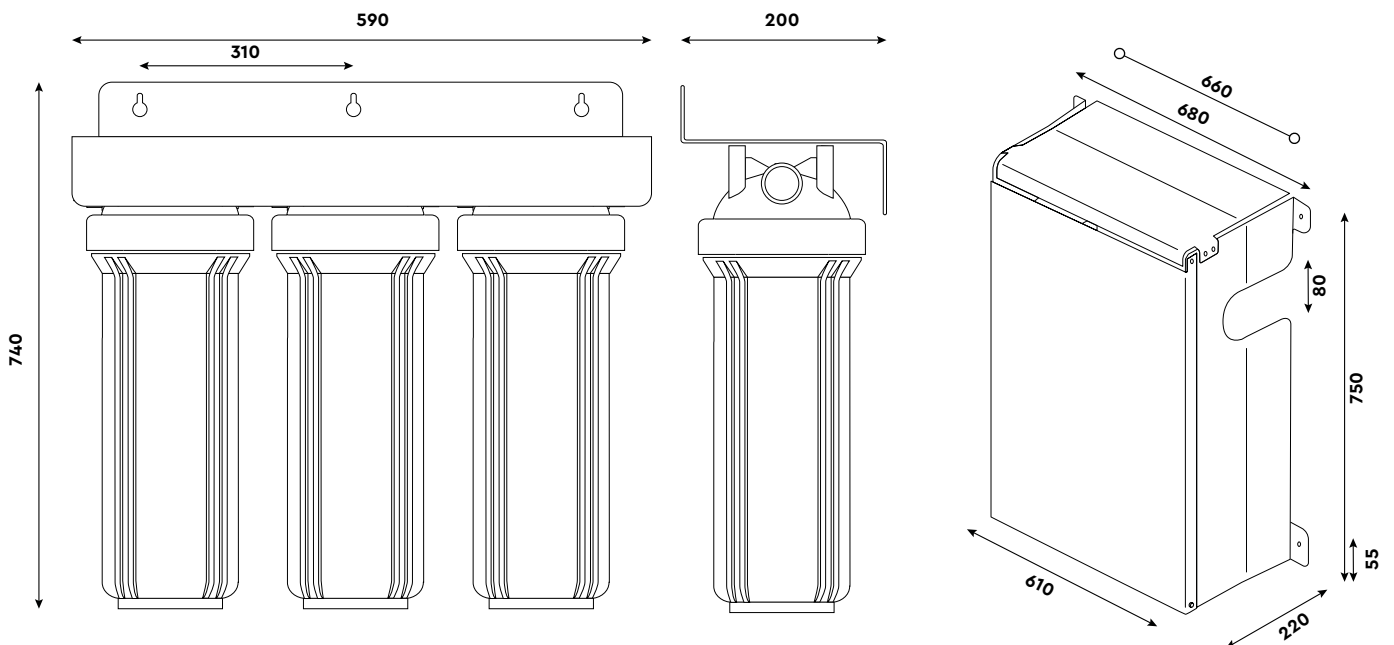
Jumbo Carbon Cartridges

CODE	DESCRIPTION	HEIGHT	WIDTH	MICRON	FLOW RATE	APPLICATION
AQFW20	20" Jumbo Fibron Carbon block - high capacity.	508mm	114mm	5	<30lpm	Mains water

Jumbo Scale Cartridges

CODE	DESCRIPTION	HEIGHT	WIDTH	FLOW RATE	APPLICATION
AQSW20	20" Jumbo Scale	504mm	114mm	<30lpm	Mains water

Product Dimensions



Filter Cartridges for AQ600 Systems



Jumbo Polyspun Sediment Cartridges

Polyspun sediment cartridges are effective in the removal of dirt, rust, sand, silt and other particles. Polyspun cartridges are a depth media filter requiring mains pressure for operation. Made from spun polypropylene filter cartridges provides premium filtration performance.

CODE	DESCRIPTION	HEIGHT	WIDTH	MICRON	FLOW RATE	APPLICATION
AQP5W20	20" Jumbo Polyspun Sediment	508mm	110mm	5	<30lpm	Mains water
AQP20W20	20" Jumbo Polyspun Sediment	508mm	110mm	20	<30lpm	Mains water
AQP50W20	20" Jumbo Polyspun Sediment	508mm	110mm	50	<30lpm	Mains water



Jumbo Fibron & Carbon Block Cartridges

The preferred filter cartridge for high chlorine / organic reduction to remove offensive taste and odours combined with superior capacity sediment removal. The AQF fibrous carbon block filter cartridge provides the longest life with low-pressure drops.

CODE	DESCRIPTION	HEIGHT	WIDTH	MICRON	FLOW RATE	APPLICATION
AQFW20	20" Jumbo Fibron Carbon block - high capacity.	508mm	114mm	5	<30lpm	Mains water



Jumbo Scale Cartridges

These cartridges are ideal for reducing scale from forming in hot water systems, kettles and water lines. Used in areas where the water is hard. Jumbo Scale is a food grade product that inhibits scaling and controls the corrosion or rusting of pipes and equipment.

CODE	DESCRIPTION	HEIGHT	WIDTH	MICRON	FLOW RATE	APPLICATION
AQSW20	20" Jumbo Scale block	504mm	114mm	N/A	<30lpm	Mains water

Polyspun Sediment Jumbo filter cartridge



Sediment

Large diameter Polyspun sediment cartridges (AQP) are designed for high flow rate and high dirt load applications. Constructed with multiple layers to provide effective depth filtration which capturing particles throughout the entire cross section of the cartridge, which also reduces surface blinding. Polyspun filters are manufactured from 100% pure polypropylene fibres and will not impart taste, odour or colour to the liquid being filtered. These cartridges combine quality and cost effectiveness to provide excellent filtration value.

Features & Benefits

- Graded density profile for effective filtration
- Effective particle removal efficiency
- Range of porosities to suit application
- Individually wrapped, sealed and labelled
- Pure polypropylene construction - food grade
- Competitive value product

Application

- Domestic Whole House System
- Commercial high flow
- Light industrial
- Prefiltration

Certification

- NSF42 Drinking Water Treatment - materials only

Specifications

- Micron rating: 5, 20, 50 micron (nominal)
- Materials of construction: 100% polypropylene
- Filter Life: Changed every 12 months minimum
- Not for use in water that is microbiologically unsafe or of unknown quality without adequate disinfection

CODE	MICRON	LENGTH	WIDTH	MAX TEMP	FLOW RATE
AQP5W20	5	508mm	110mm	40°C	<30lpm
AQP20W20	20	508mm	110mm	40°C	<30lpm
AQP50W20	50	508mm	110mm	40°C	<30lpm

Fibron & Carbon Jumbo filter cartridge



Fibron Carbon

Large diameter Carbon filter cartridges are designed for high flow rate and high sediment load applications.

Fibron cartridges (AQF) combine activated carbon and a moulded fibre matrix for low pressure drop, maximum performance and capacity. Carbon cartridges reduce chlorine, organic matter and taste & odour from potable water.

Manufactured for potable water applications these cartridges combine quality and cost effectiveness to provide excellent filtration value.

Features & Benefits

- Food grade activated carbon to reduce chlorine, organic matter and taste/odour
- Effective particle removal efficiency
- Individually wrapped, sealed and labelled
- Competitive value product

Application

- Domestic Whole House System
- Commercial high flow
- Light industrial
- Chemical - check compatibility
- Prefiltration

Specifications

- Micron rating: 5 (nominal)
- Filter Life: Changed every 12 months minimum
- Not for use in water that is microbiologically unsafe or of unknown quality without adequate disinfection

CODE	MICRON	HIGH	LENGTH	WIDTH	MAX TEMP	FLOW RATE
AQF5W20	5	2	508mm	114mm	40°C	<30lpm

Certification

- WaterMark / LeadFree



Scale Jumbo filter cartridge



Scale

This innovative solution not only prolongs the lifespan of your household appliances but also helps maintain the high quality of your homes pipe work and drinking water.

Specifications

- Temperature range: 4 - 40°C (not for use in hot water)
- Duty: Scale Inhibition - home applications
- Filter Life: change every 12 months
- Not for use in water that is microbiologically unsafe or of unknown quality without adequate disinfection

Features & Benefits

- High Flow non-clogging slow dissolving beads, for a safe and constant Scale inhibition effect
- Food Grade - Polyphosphate beads & Polystyrene shell
- Individually wrapped, sealed and labelled

Application

- Domestic Whole House System

Certification

- NSF42 Drinking Water Treatment - materials only
- NSF60 Drinking Water Treatment - chemicals
- IAPMO Z-601
Scale media passes a 96% scale reduction performance at 26 grains hardness water at 74°C at a flow rate of 3.8lpm

CODE	HIGH	LENGTH	WIDTH	MAX TEMP	FLOW RATE
AQSW20	2	508mm	114mm	40°C	<30lpm