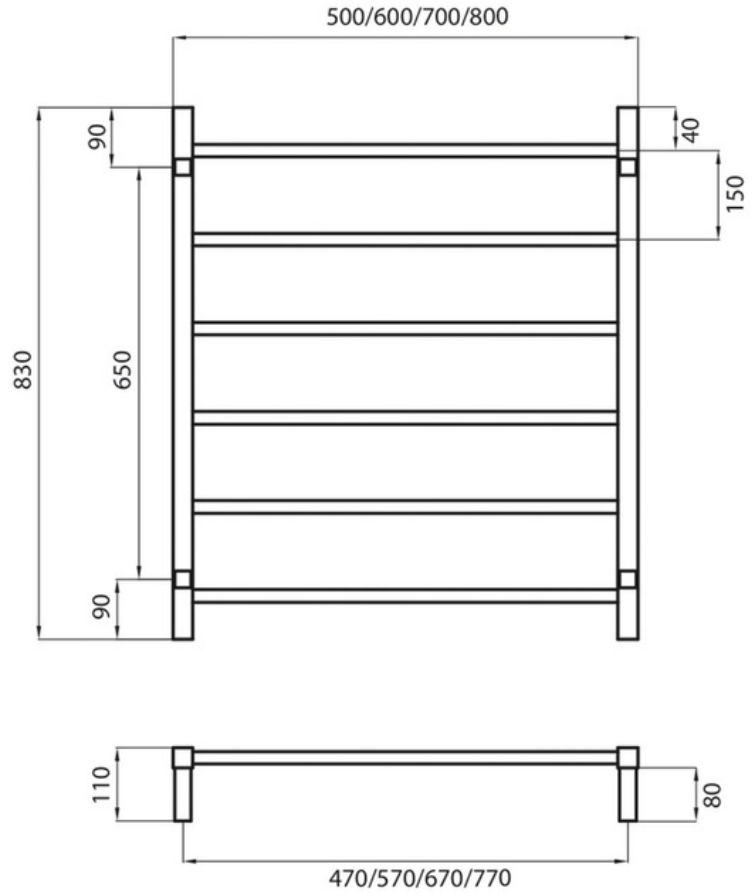


# BASLTR01-700 - Non-Heated Towel Rail Square 6 Bar 700x830mm



## DIMENSIONS

Width: 110mm, Length: 700mm, Height: 830mm

## DESCRIPTION

- Contemporary non-heated towel rail
- 6 evenly spaced, 19mm diameter horizontal bars, 30mm diameter vertical bars
- 304-grade stainless steel (Coloured rails are made from 201-grade stainless steel)

## WARRANTY INFORMATION

- 7 Year Replacement\*
- Product replacement does not include installation or removal of the original product.
- Check product for damage before installation - installing a damaged product voids warranty.

## IMPORTANT NOTICE

- All pictures and drawings on this brochure are representational only, changes in the product may have occurred since time of print.
- All prices on this brochure and The Sink Warehouse website are subject to change without notice.

To contact The Sink Warehouse email us at [info@sinkwarehouse.com.au](mailto:info@sinkwarehouse.com.au)