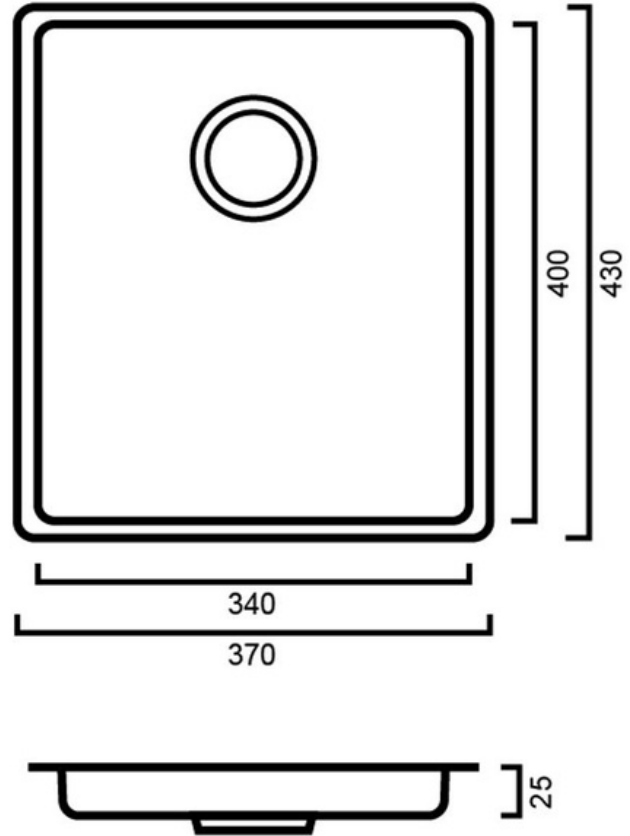


# CU10 - Tech Bench-Mounted Drainer



## DIMENSIONS

Length: 370mm, Width: 430mm, Depth: 25mm

## DESCRIPTION

- Contemporary top or undermount drainer
- In-built drainer with a modern brushed Finish
- Supplied with one 50mm basket waste
- Stands alone for your kitchen
- Manufactured from 304, 18/10 grade 1.2mm thick stainless steel

## WARRANTY INFORMATION

- 25 Year Replacement Product Warranty\* 2 Years Parts and Labour\*
- Product replacement does not include installation or removal of the original product.
- Check product for damage before installation - installing a damaged product voids the warranty.

## IMPORTANT NOTICE

- All pictures and drawings on this brochure are representational only, changes in the product may have occurred since the time of print.
- All prices on this brochure and The Sink Warehouse website are subject to change without notice.

To contact The Sink Warehouse email us at [info@sinkwarehouse.com.au](mailto:info@sinkwarehouse.com.au)