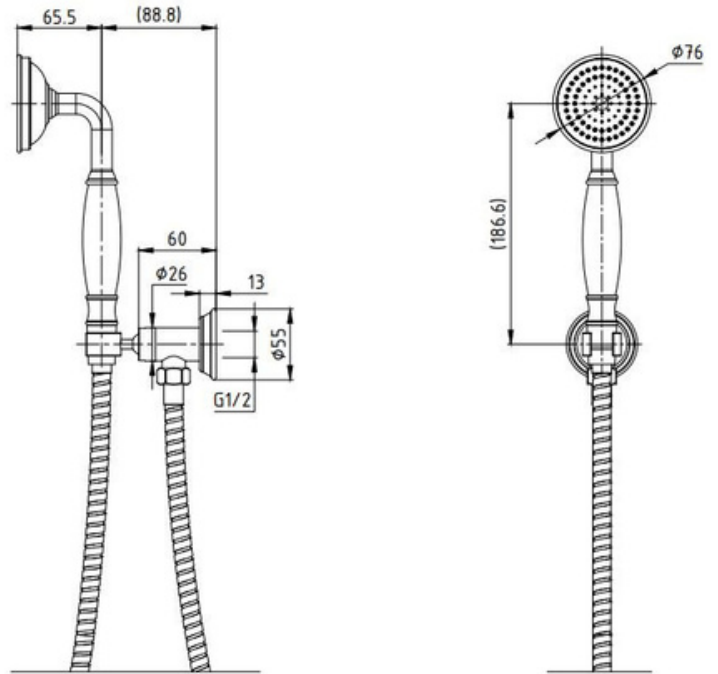


HSACHHBN - Charlotte Holder Handset & Hose Brushed Nickel



DESCRIPTION

Elevate your shower experience with the thoughtfully designed handset, expertly constructed from durable ABS and adorned with a PVD Brushed Nickel finish. The combination of robust materials and refined finishes not only guarantees longevity but also brings a harmonious blend of style and functionality to your bathroom. Make a statement in your home with the Charlotte Holder Handset & Hose – where enduring quality meets contemporary elegance.

- Contemporary Round Holder Handset & Hose
- Holder is constructed from solid brass and features a Brushed Nickel finish
- The handset is constructed from durable ABS completed by an PVD Brushed Nickel finish

WELS INFORMATION

WELS LPM: 7.5L

WELS Registration Code: S13321V

WELS Licence Number: 0175

WELS Star Rating: 4 Stars

WARRANTY INFORMATION

- Shower Head: 5 Year Replacement Product Warranty and 1 Year Warranty on Finishes*. Shower Rail: 1 Year Replacement Product Warranty*
- Product replacement does not include installation or removal of the original product.
- Check product for damage before installation - installing a damaged product voids the warranty.

IMPORTANT NOTICE

- All pictures and drawings on this brochure are representational only, changes in the product may have occurred since the time of print.
- All prices on this brochure and The Sink Warehouse website are subject to change without notice.