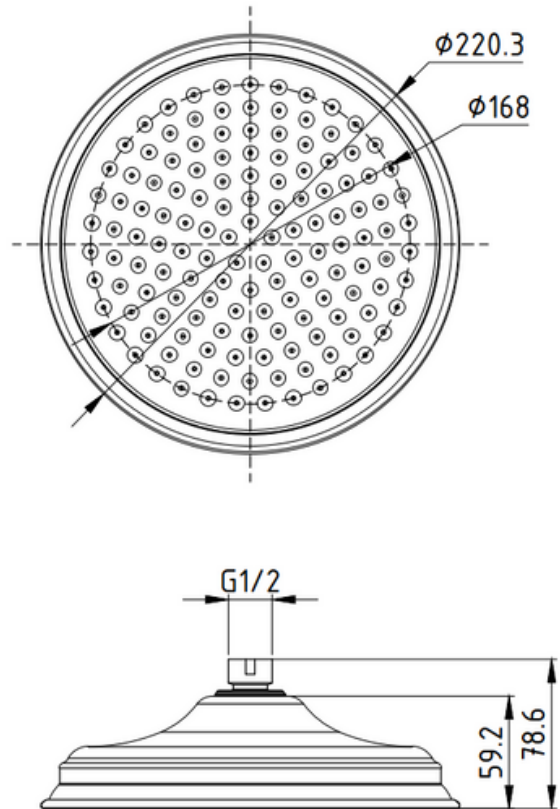


HSARCHARLMB - Charlotte Matte Black Shower Rose



DESCRIPTION

- The Charlotte is a contemporary, round Hamptons-style showerhead with an electroplated Matte Black finish
- Shower head diameter: 220.3mm
- Durable ABS construction completed with Matte Black finish
- Combine with a [shower arm](#) to create a functional, modern shower fixture
- **All Black Bathroom Accessories Finishes Are Covered By A 12 Month Warranty Period Only (Black Finished Accessories Will Invariably Chip Over Time)**

WELS Information

WELS LPM: 8.5L

WELS Registration Code: S17503

WELS Licence Number: 0175

WELS Star Rating: 3 Stars

WARRANTY INFORMATION

- 5-Year Replacement Product Warranty
- Product replacement does not include installation or removal of the original product.
- Check product for damage before installation - installing a damaged product voids the warranty.

IMPORTANT NOTICE

- All pictures and drawings on this brochure are representational only, changes in the product may have occurred since the time of print.
- All prices on this brochure and The Sink Warehouse website are subject to change without notice.
- It is strongly recommended that any cut-outs are made based on the individual product dimensions

To contact The Sink Warehouse email us at info@sinkwarehouse.com.au