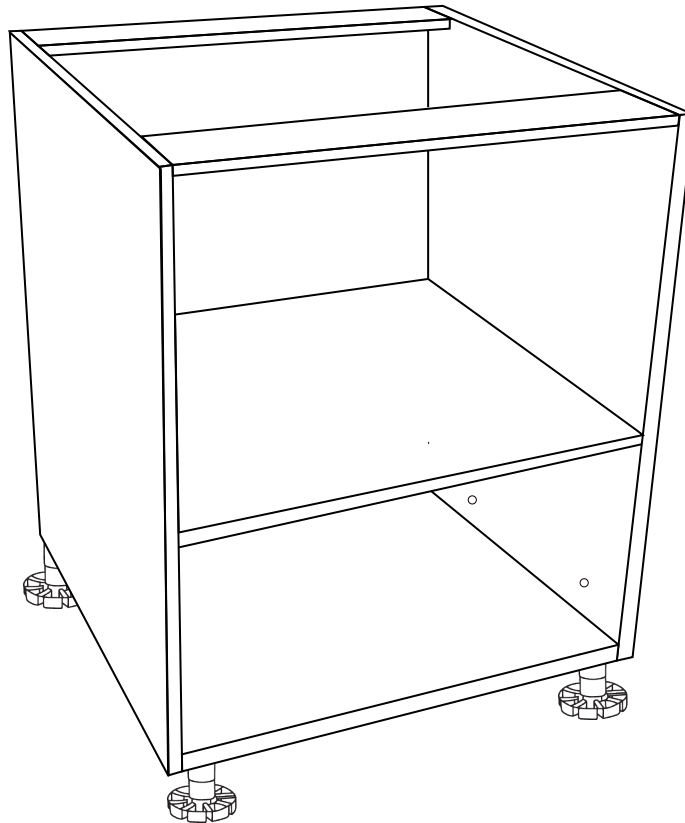


MICROWAVE BASE CABINET

Applicable For : Microwave Base Cabinet (set 5)
● 600mm

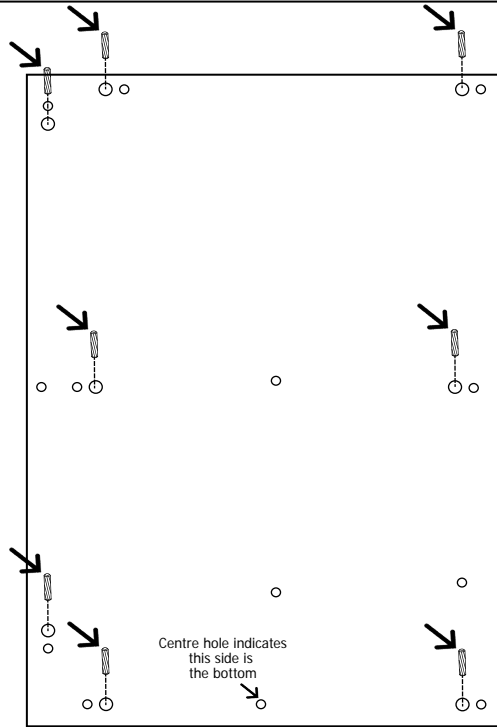


PANELS & COMPONENT INCLUDED (8)			
SCREWS & DOWELS (Hardware)			
A	 47	B	 16
	height 35 <small>(mm)</small>		height -
FEET & SUPPORT (Hardware)			
C	 4	D	 4
	ADJUSTABLE FEET		L BRACKET

REQUIRED TOOLS & SAFETY	
HANDY TOOLS	

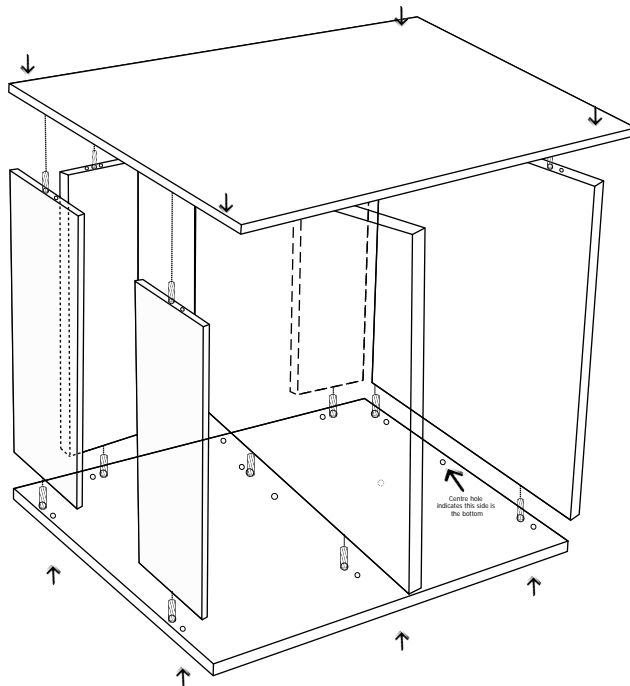
How to videos are available on both our website and facebook fan page

1



Lay a side panel down then insert dowels

2

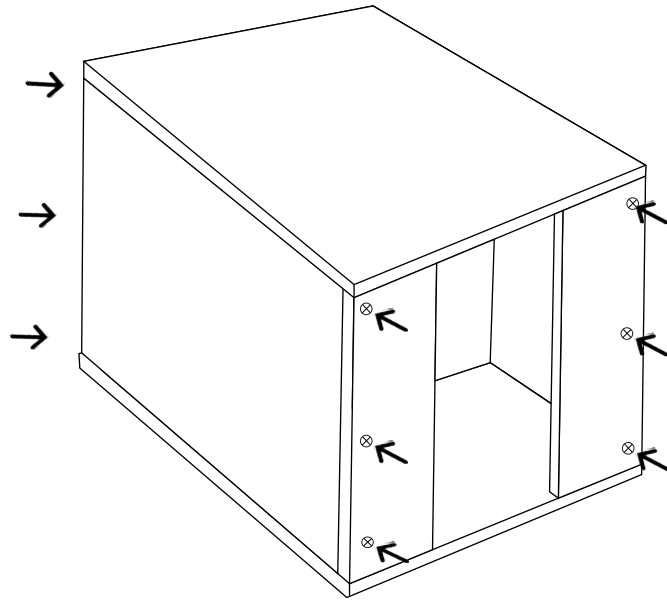


Insert back and bottom panels

How to videos are available on both our website and facebook fan page

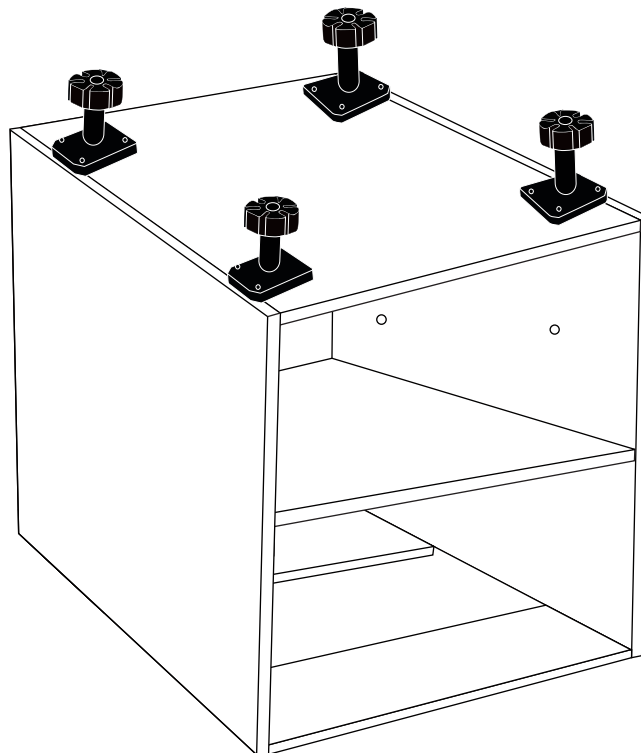


3



Secure all the screws

4



Place feet bases then screw them in place
and insert adjustable feet

How to videos are available on both our website and facebook fan page

