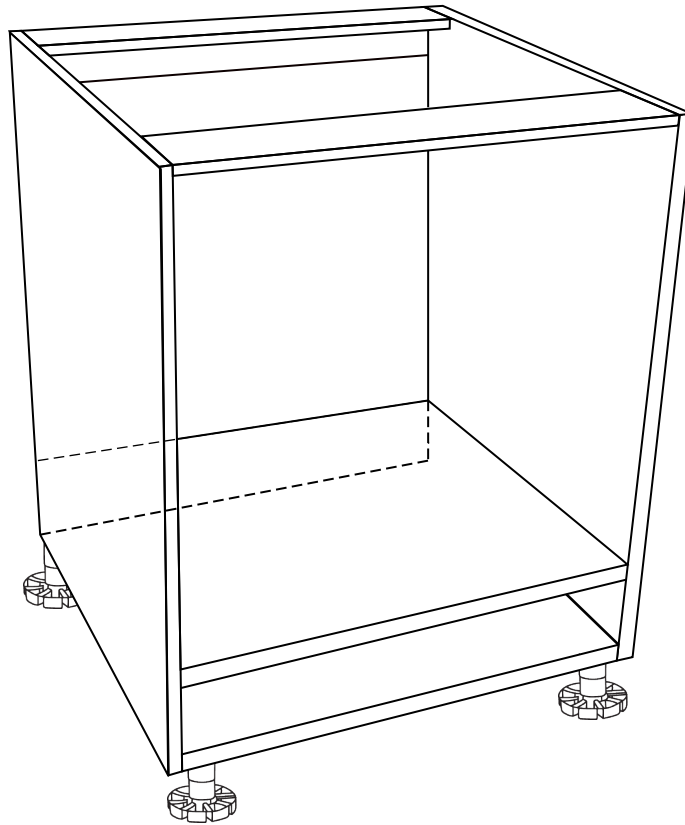


OVEN BASE CABINET

Applicable For : Oven Base Cabinet (set 5)
● 600mm ● 900mm

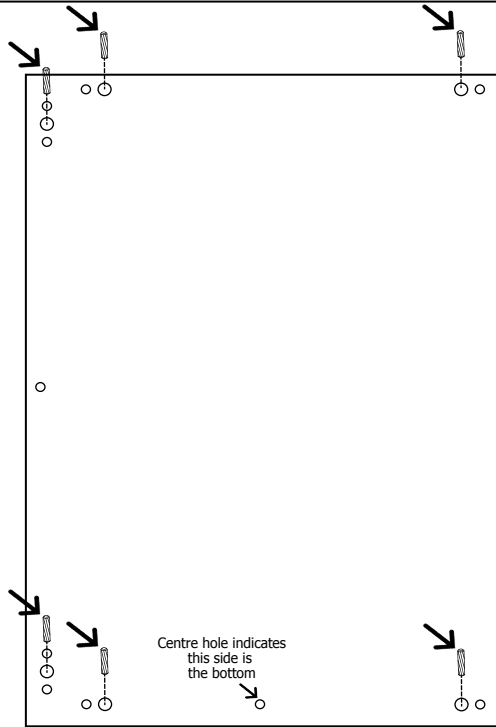


PANELS & COMPONENT INCLUDED (8)				
SCREWS & DOWELS (Hardware)				
A		40	B	12
		height 35 (mm)		height -
FEET & SUPPORT (Hardware)				
C		4	D	4
		ADJUSTABLE FEET		L BRACKET

REQUIRED TOOLS & SAFETY	
HANDY TOOLS	

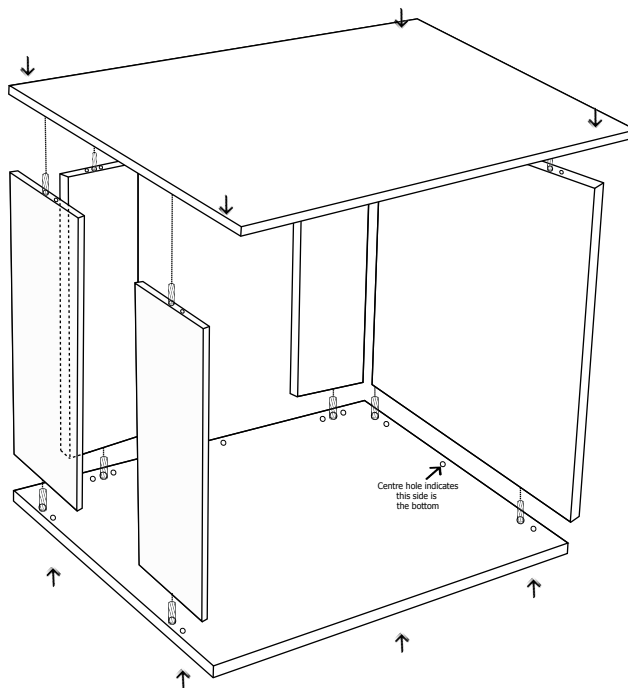
How to videos are available on both our website and facebook fan page

1



Lay a side panel down then insert dowels

2

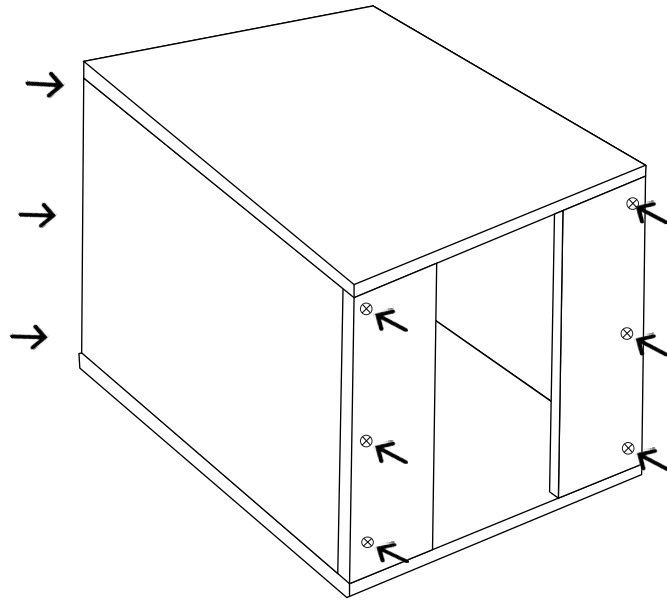


Insert back and bottom panels

How to videos are available on both our website and facebook fan page

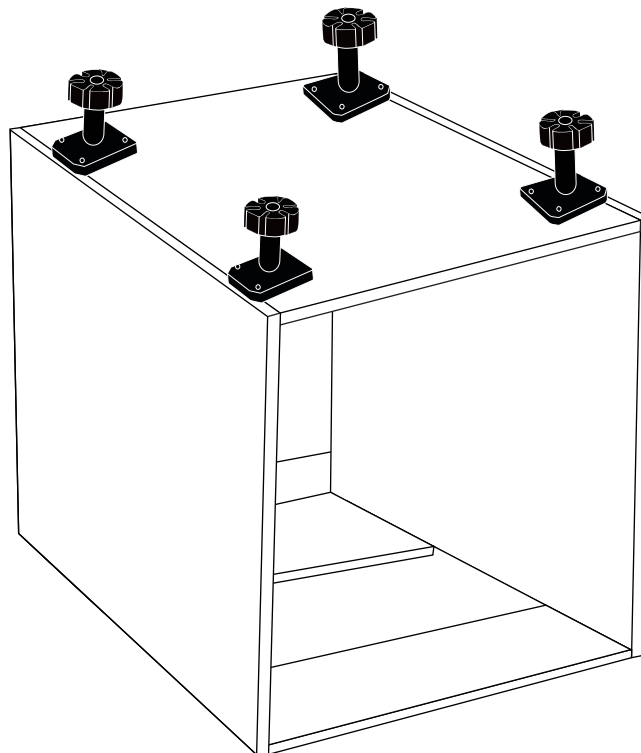


3



Secure all the screws

4



Place feet bases then screw them in place
and insert adjustable feet

How to videos are available on both our website and facebook fan page



www.sinkwarehouse.com.au



www.facebook.com/sinkwarehouse