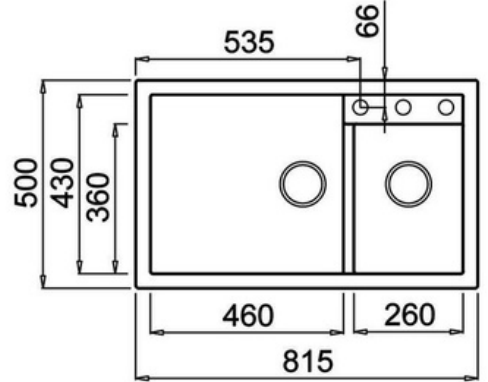


QUAD175(BL/WH) - Quadrille 175 Granite Sink

QUAD175BL/WH: 815mm x 500mm x 200mm



DIMENSIONS

Depth: 200mm, Width: 500mm, Length: 815mm, Volume: 42L + 20L

DESCRIPTION

- Contemporary large square double bowl sink
- 815mm long x 500mm wide x 200mm deep
- Can be inset or under-mounted
- Constructed from Luisigranit:
- Luisigranit is composed of 80% quartz (the hardest element of granite), 20% acryl (a high-quality polymer) and colour pigment
- Its high-quality materials and construction make it heat resistant, scratch-resistant, stain-resistant, and impact resistant
- The smooth Luisigranit stone makes it easy to clean
- The antibacterial properties create a highly hygienic surface
- The density of the Luisigranit stifles all sounds making for comfortable use
- Features one full-sized bowl and one three quarter bowl for a high degree of functionality and comfort
- Supplied with two 90mm basket wastes
- No overflow
- Available in Black or White colour

WARRANTY INFORMATION

- 10 Year Replacement Product Warranty* 2 Year Parts and Labour*
- Product replacement does not include installation or removal of the original product.
- Check product for damage before installation - installing a damaged product voids the warranty.

IMPORTANT NOTICE

- All pictures and drawings on this brochure are representational only, changes in the product may have occurred since print.
- All prices on this brochure and The Sink Warehouse website are subject to change without notice.
- It is strongly recommended that any cut-outs are made based on the individual product dimensions