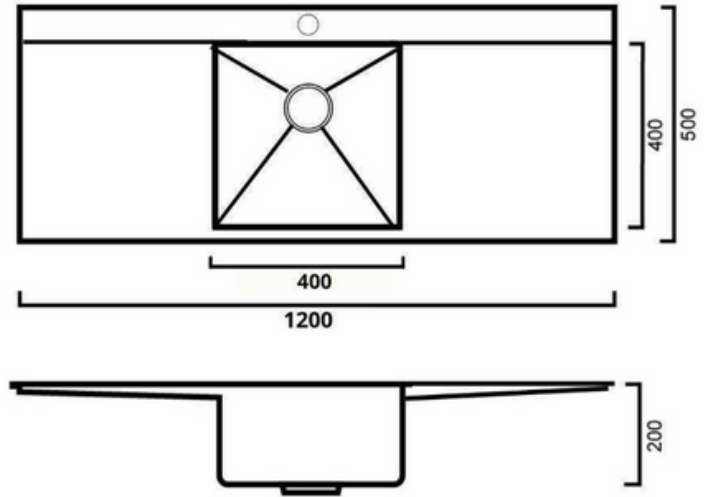




TECH1200SCB - Tech 1200 Stainless Steel Sink



DIMENSIONS

Length: 1200mm, Width: 500mm, Depth: 200mm, Volume: 28L

DESCRIPTION

- The tap hole is pre-cut (as shown in the image)
- The Tech 1200 is a unique, square, single bowl with a double drainer stainless steel sink
- 1200mm long x 500mm wide x 200mm deep
- Constructed from 1.2mm thick, 304, 18/10 grade stainless steel
- Each sink is individually handmade not machine pressed
- Designed to be installed top-mounted, can also be under-mounted.
- Features one full-sized bowl with a double drainer board gives you incredible usability
- Modern brushed stainless steel finish
- Supplied with 90mm basket waste
- **Tap hole Included - Tap hole cover can be selected at checkout (free of charge).**
- No overflow

WARRANTY INFORMATION

- 25-Year Replacement Product Warranty* 2-Years Parts and Labour*
- Product replacement does not include installation or removal of the original product.
- Check product for damage before installation - installing a damaged product voids the warranty.

IMPORTANT NOTICE

- All pictures and drawings on this brochure are representational only, changes in the product may have occurred since the time of print.
- All prices on this brochure and The Sink Warehouse website are subject to change without notice.
- It is strongly recommended that any cut-outs are made based on the individual product dimensions

To contact The Sink Warehouse email us at info@sinkwarehouse.com.au