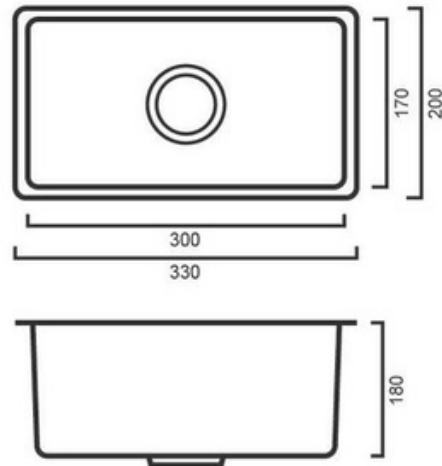




TECH30UGM - Tech 30U Gun Metal Undermount Sink

TECH30U: 200mm x 330mm x 180mm



DIMENSIONS

Depth: 180mm, Width: 200mm, Length: 330mm, Volume: 9L

DESCRIPTION

- 200mm long x 330mm wide x 180mm deep
- Mounting options are both under-mount or top-mount owing to its perfectly finished edges
- Stunningly versatile with many different uses for small and unique spaces
- Carefully handmade from quality stainless steel affording a lifelong 25-year warranty
- Basket waste plug included for free
- Gun Metal Sinks have a Stainless steel construction with a PVD Gun Metal finish.

WARRANTY INFORMATION

- 25 Year Replacement Product Warranty* 2 Year Parts and Labour*
- Product replacement does not include installation or removal of the original product.
- Check product for damage before installation - installing a damaged product voids the warranty.

IMPORTANT NOTICE

- All pictures and drawings on this brochure are representational only, changes in the product may have occurred since print.
- All prices on this brochure and The Sink Warehouse website are subject to change without notice.
- All stainless steel products are constructed from 304, 18/10 grade stainless steel
- It is strongly recommended that any cut-outs are made based on the individual product dimensions

To contact The Sink Warehouse email us at info@sinkwarehouse.com.au