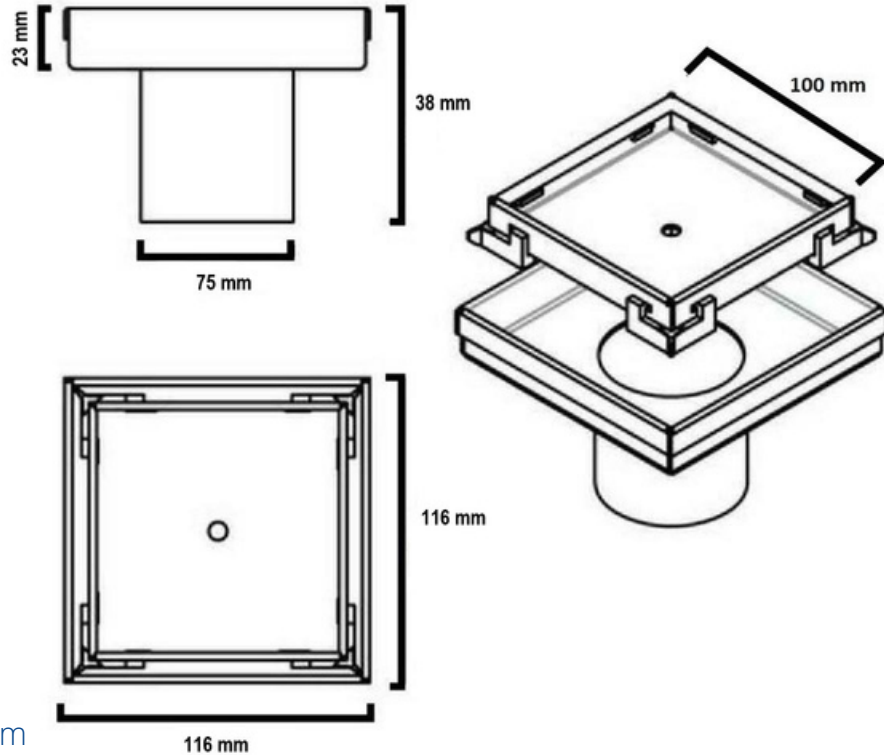


WSG80 - Tile Insert Grate

116mm x 80mm



DIMENSIONS

Length: 116mm, Width: 116mm, Outlet: 80 mm
Middle tile insert - Length: 100mm x Width 100mm

DESCRIPTION

- Contemporary square tile insert gate
- 115 mm length x 115 mm width (External)
- 100 mm length x 100 mm width (Middle tile insert)
- Outlet 80 mm
- 316 marine-grade stainless steel
- Watermark approved

WARRANTY INFORMATION

- 1 Year Product Replacement Warrant*
- Product replacement does not include installation or removal of the original product.
- Check product for damage before installation - installing a damaged product voids warranty.

IMPORTANT NOTICE

- All pictures and drawings on this brochure are representational only, changes in the product may have occurred since time of print.
- All prices on this brochure and The Sink Warehouse website are subject to change without notice.
- It is strongly recommended that any cut-outs are made based on the individual product dimensions