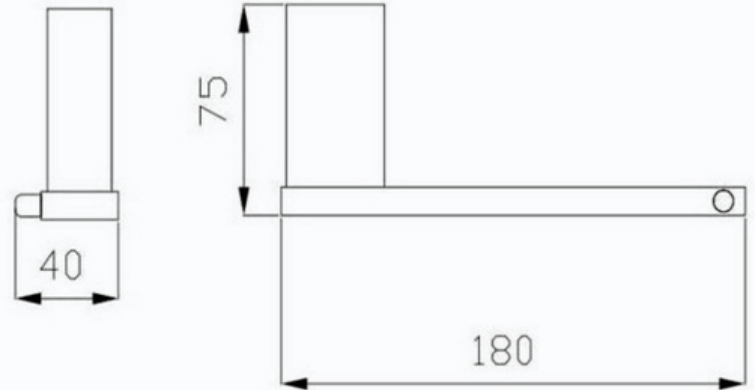




BASQTRHB - Square Black Toilet Roll Holder

BASQTRHB : 180 mm (L) 75 mm (W) 30 mm (H)



DIMENSIONS

Length: 180 mm, Height: 30 mm, Width: 75 mm

DESCRIPTION

A staple in every bathroom, toilet roll holders don't have to be mundane. We have created this Matte Black toilet paper holder to bring style and sophistication to the classic toilet roll holder. Featuring a bold square design with a modern Matte Black finish, the Square toilet roll holder is guaranteed to modernise any bathroom.

- Made from solid brass construction and high quality, electroplated Matte Black finish
- Sleek modern square design
- Includes fixing kit so that it can be easily wall mounted

All Black Bathroom Accessories Finishes Are Covered By A 12 Month Warranty Period Only (Black Finished Accessories Will Invariably Chip Over Time)

WARRANTY INFORMATION

- 1 Year Replacement Product Warranty
- Product replacement does not include installation or removal of the original product.
- Check product for damage before installation - installing a damaged product voids warranty.

IMPORTANT NOTICE

- All pictures and drawings on this brochure are representational only, changes in the product may have occurred since time of print.
- All prices on this brochure and The Sink Warehouse website are subject to change without notice

To contact The Sink Warehouse email us at info@sinkwarehouse.com.au