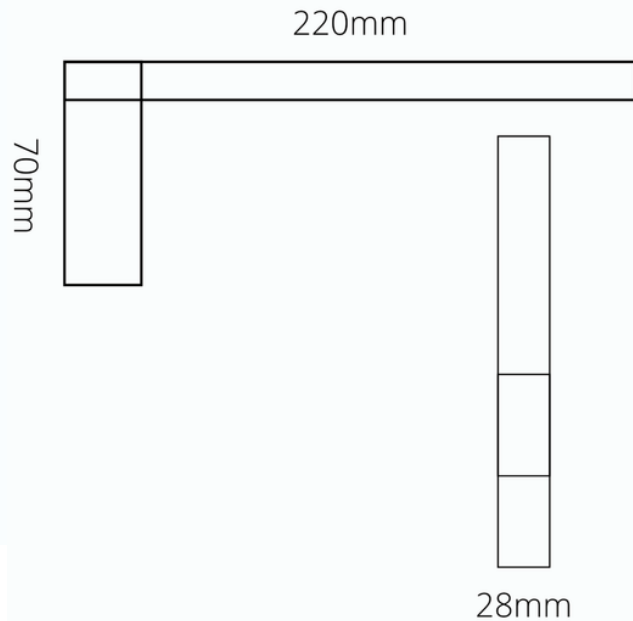
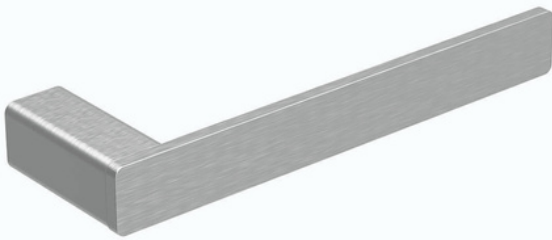


BAFIOHTHBN - Fiona Brushed Nickel Hand Towel Holder

BAFIOHTH : 220mm (L) x 28mm (H) x 70mm (W)



DIMENSIONS

Width: 70 mm, Length: 220 mm, Height: 28 mm

DESCRIPTION

Our Fiona range has four different premium finishes for your bathroom with our High Gloss Chrome, Matte Black, Brushed Nickel and Gun Metal range styling your perfect designs.

- The Fiona Hand towel holder is a modern, PVD Brushed Nickel, bathroom hand towel holder
- 220mm long x 28mm high x 70mm deep
- It is constructed entirely from brass and features a high quality, PVD Brushed Nickel finish
- Weight: 465g
- Wall mounted design - product includes a fixing kit
- Combine with other products from our Fiona bathroom range to help create a sleek, contemporary bathroom design

WARRANTY INFORMATION

- 1 Year Replacement*
- Product replacement does not include installation or removal of the original product.
- Check product for damage before installation - installing a damaged product voids warranty.

IMPORTANT NOTICE

- All pictures and drawings on this brochure are representational only, changes in the product may have occurred since time of print.
- All prices on this brochure and The Sink Warehouse website are subject to change without notice.