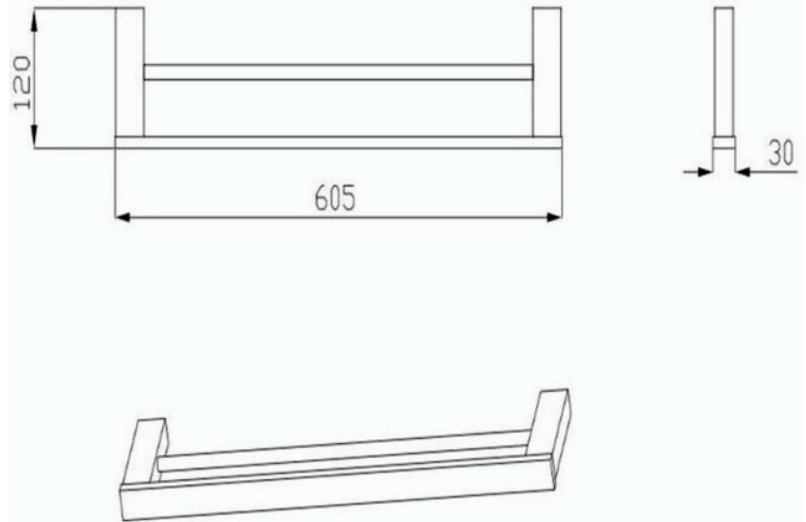


BASQTRD6B - Square Black Double Towel Rail 600mm



BASQTRD6B: 605mm (L) 120mm (W) 30mm (H)



DIMENSIONS

Length: 605 mm, Height: 30 mm, Width: 120 mm

DESCRIPTION

This Matte Black double towel rail has it all. Featuring clever, soft-square edges, 600mm length, and a solid brass construction, the Square Matte Black single towel rail is the perfect addition to modernize your bathroom. At 600mm long, it is the perfect space saving towel rail for smaller bathrooms and those with limited wall space, whilst still comfortably fitting two towels. It features square edges and a high-quality electroplated Matte Black to ensure lasting style.

- The Square double towel Rail 800mm is a modern, square, Matte Black, bathroom towel rail
- It is constructed from solid brass and features a high quality, electroplated Matte Black finish
- Wall mounted design - product includes a fixing kit
- Combine with other products from our Square bathroom range to help create a sleek, contemporary bathroom design

All Black Bathroom Accessories Finishes Are Covered By A 12 Month Warranty Period Only (Black Finished Accessories Will Invariably Chip Over Time)

WARRANTY INFORMATION

- 1 Year Replacement Product Warranty
- Product replacement does not include installation or removal of the original product.
- Check product for damage before installation - installing a damaged product voids warranty.

IMPORTANT NOTICE

- All pictures and drawings on this brochure are representational only, changes in the product may have occurred since time of print.
- All prices on this brochure and The Sink Warehouse website are subject to change without notice