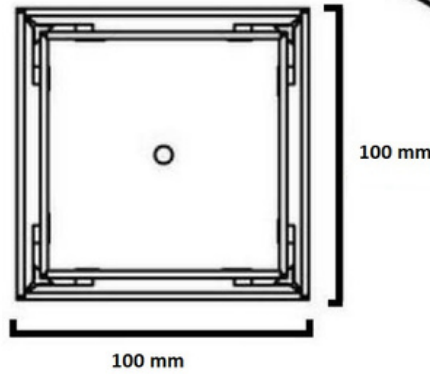
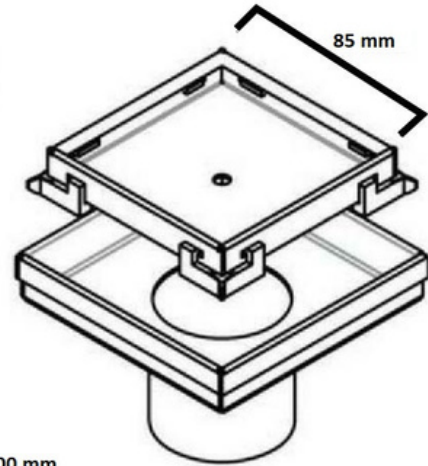
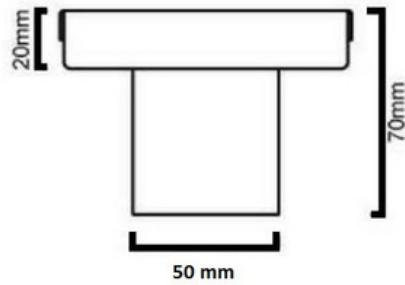
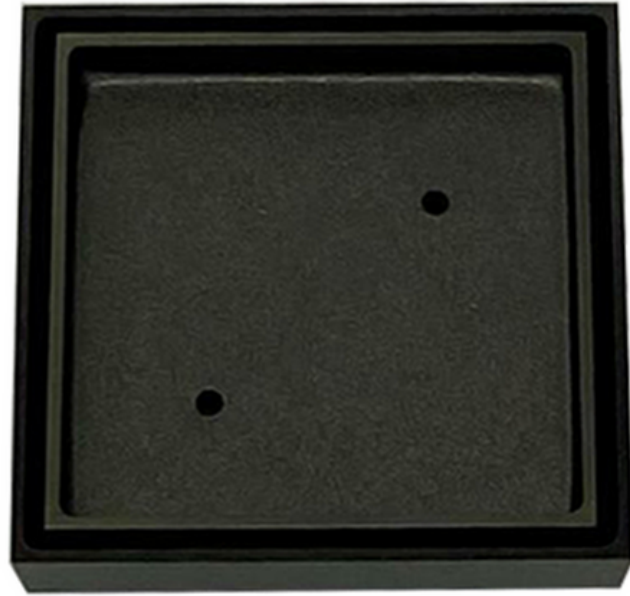


WSG50FSGM - Tile Insert Grate 100 mm x 50 mm Gun Metal



DIMENSIONS

Length: 100 mm, Width: 100 mm, Outlet: 50 mm
 Middle tile insert - Length: 85 mm x Width 85 mm

DESCRIPTION

- Contemporary square tile insert gate
- 100 mm length x 100 mm width (External)
- 85 mm length x 85 mm width (Middle tile insert)
- Outlet 50 mm
- PVD Gun Metal finish plate brass
- Watermark approved

WARRANTY INFORMATION

- 1 Year Replacement Product Warranty*
- Product replacement does not include installation or removal of the original product.
- Check product for damage before installation - installing a damaged product voids warranty.

IMPORTANT NOTICE

- All pictures and drawings on this brochure are representational only, changes in the product may have occurred since time of print.
- All prices on this brochure and The Sink Warehouse website are subject to change without notice.
- It is strongly recommended that any cut-outs made are made based on the individual product dimensions.