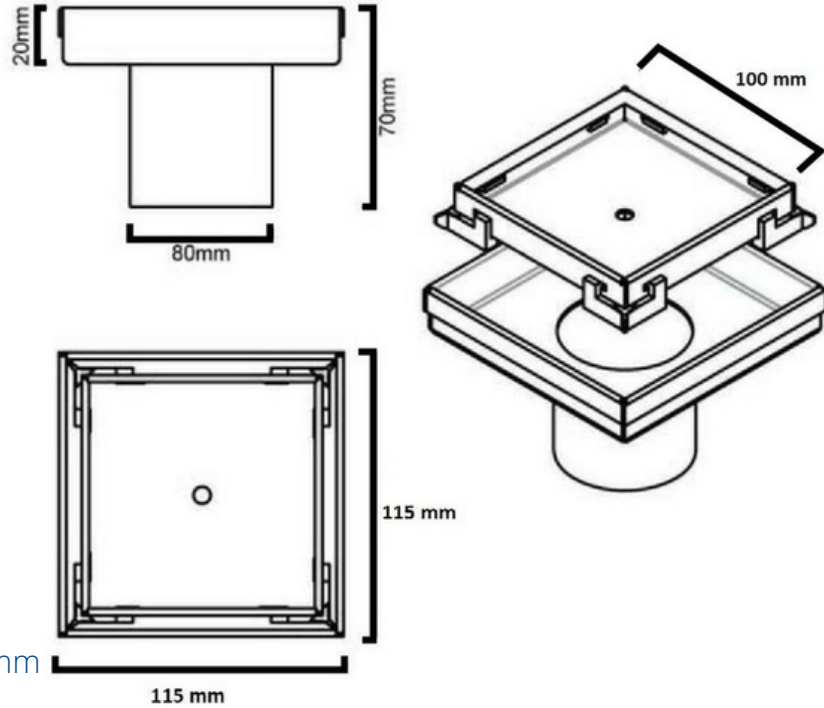


# WSG80BBL - Tile Insert Grate 115mm x 80mm Black



## DIMENSIONS

Length: 115 mm, Width: 115 mm, Outlet: 80 mm  
 Middle tile insert - Length: 100 mm x Width 100 mm

## DESCRIPTION

- Contemporary square tile insert gate
- 115 mm length x 115 mm width (External)
- 100 mm length x 100 mm width (Middle tile insert)
- Outlet 80 mm
- Electroplated Matte Black finish
- Watermark approved

**All Black Bathroom Accessories Finishes Are Covered By A 12 Month Warranty Period Only  
 (Black Finished Accessories Will Invariably Chip Over Time)**

**Important Note:** Don't use any chemicals to clean your accessories, warm water and a soft cloth or light sponge should do the trick, this however does not mean it will not chip or flake.

## WARRANTY INFORMATION

- 1 Year Replacement Product Warranty\* 1 Year on Finishes\*
- Product replacement does not include installation or removal of the original product.
- Check product for damage before installation - installing a damaged product voids warranty.

## IMPORTANT NOTICE

- All pictures and drawings on this brochure are representational only, changes in the product may have occurred since the time of print.
- All prices on this brochure and The Sink Warehouse website are subject to change without notice.