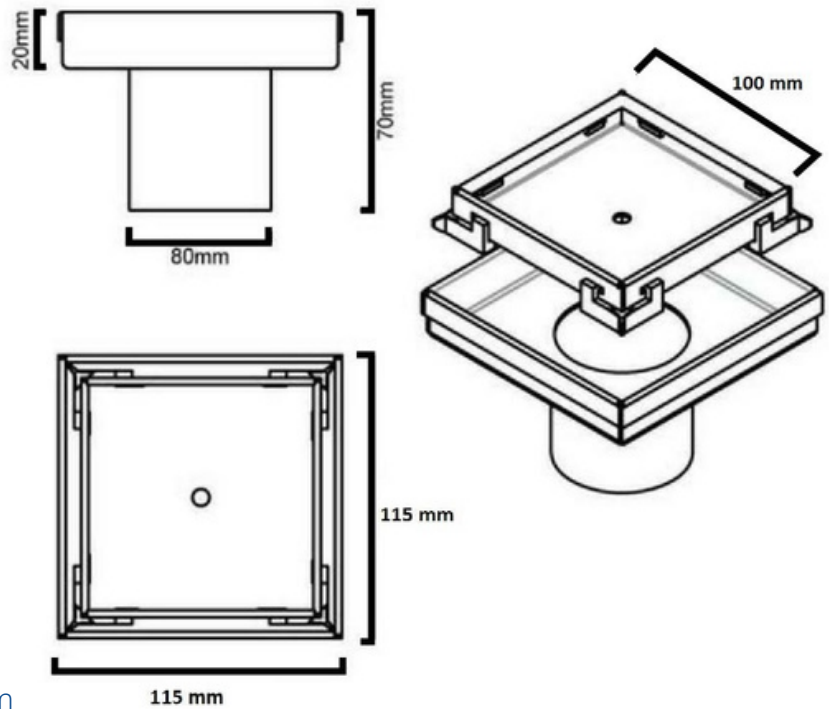
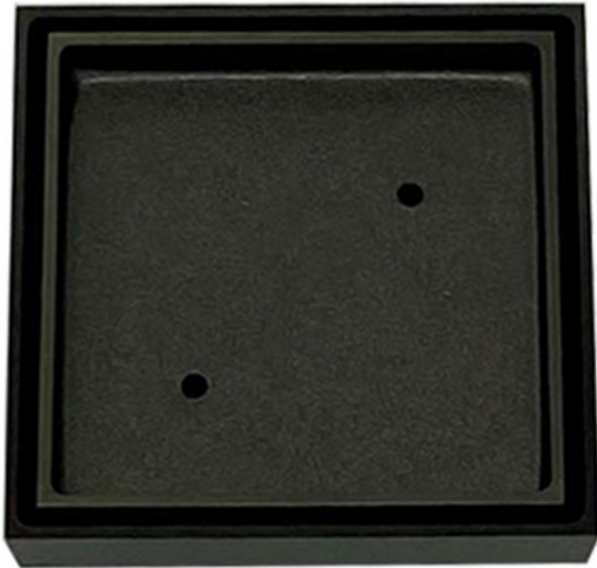


# WSG80FSGM - Tile Insert Grate 115 mm x 80 mm Gun Metal



## DIMENSIONS

Length: 115 mm, Width: 115 mm, Outlet: 80 mm  
Middle tile insert - Length: 100 mm x Width 100 mm

## DESCRIPTION

- Contemporary square tile insert gate
- 115 mm length x 115mm width (External)
- 100 mm length x 100mm width (Middle tile insert)
- Outlet 80 mm
- PVD Gun Metal finish plate brass
- Watermark approved

## WARRANTY INFORMATION

- 1 Year Replacement Product Warranty\*
- Product replacement does not include installation or removal of the original product.
- Check product for damage before installation - installing a damaged product voids warranty.

## IMPORTANT NOTICE

- All pictures and drawings on this brochure are representational only, changes in the product may have occurred since time of print.
- All prices on this brochure and The Sink Warehouse website are subject to change without notice.