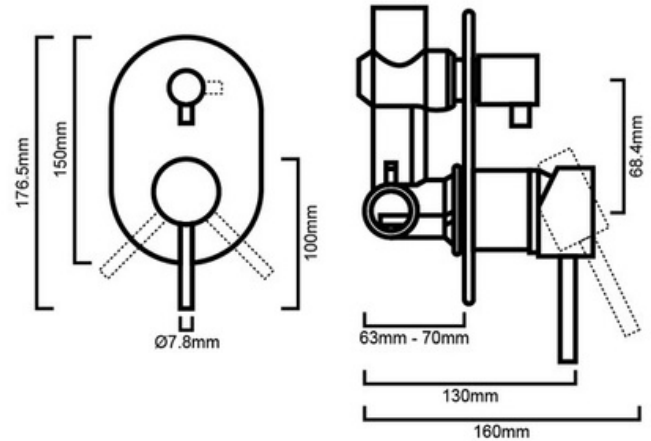


# TAQSBSDMB - Sofia Black Bath/Shower Mixer With Diverter



TAQSBSDMC:



## DIMENSIONS

Width: 90 mm, Height: 150 mm

## DESCRIPTION

Our Sofia Bath/Shower mixer with diverter brings together the stunning finish and contemporary design you've come to expect from the Sofia Range. The ceramic disc cartridge features superior technology that ensures consistent pushes and pulls on the mixer with strength and reliability. This technology also means you get a cushioned and smoother transition between temperatures and flows.

- Contemporary bath or shower diverter mixer
- Durable ceramic disc cartridge with long lasting technology
- Electroplated Matte Black finish on brass construction

**All Black Bathroom Accessories Finishes Are Covered By A 12 Month Warranty Period Only (Black Finished Accessories Will Invariably Chip Over Time)**

**Important Note:** Don't use any chemicals to clean your accessories, warm water and a soft cloth or light sponge should do the trick, this however does not mean it will not chip or flake

## WARRANTY INFORMATION

- 10 Year Cartridge Replacement Warranty\* 5 Year Replacement Product Warranty\* 1 Year on Parts, Labour and Finishes\*
- Product replacement does not include installation or removal of the original product.
- Check product for damage before installation - installing a damaged product voids warranty.

## IMPORTANT NOTICE

- All pictures and drawings on this brochure are representational only, changes in the product may have occurred since time of print.
- All prices on this brochure and The Sink Warehouse website are subject to change without notice.