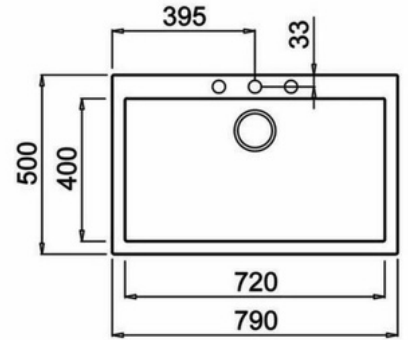




# QUAD125(BL/WH) - QUADRILLE 125 Granite Sink

QUAD125BL/WH: 790mm x 500mm x 210mm



## DIMENSIONS

Depth: 210mm, Width: 500mm, Length: 790mm, Volume: 60L

## DESCRIPTION

- Contemporary large square bowl
- 790mm long x 500mm wide x 210mm deep
- Can be inset or under-mounted
- Constructed from Luisigranit:
- Luisigranit is composed of 80% quartz (the hardest element of granite), 20% acryl (a high-quality polymer) and colour pigment
- Its high-quality materials and construction make it heat resistant, scratch-resistant, stain-resistant, and impact resistant
- The smooth Luisigranit stone makes it easy to clean
- The antibacterial properties create a highly hygienic surface
- The density of the Luisigranit stifles all sounds making for comfortable use
- Supplied with one 90mm basket waste
- No overflow

## WARRANTY INFORMATION

- 10 Year Replacement Product Warranty\*
- Product replacement does not include installation or removal of the original product.
- Check product for damage before installation - installing a damaged product voids the warranty.

## IMPORTANT NOTICE

- All pictures and drawings on this brochure are representational only, changes in the product may have occurred since print.
- All prices on this brochure and The Sink Warehouse website are subject to change without notice.
- It is strongly recommended that any cut-outs are made based on the individual product dimensions

To contact The Sink Warehouse email us at [info@sinkwarehouse.com.au](mailto:info@sinkwarehouse.com.au)