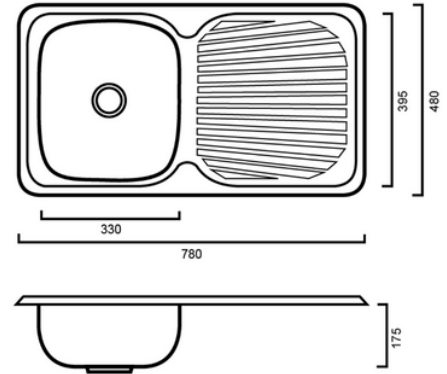




# ATL780 - Atlantic 780 Inset Sink

ATL780: 780mm x 480mm x 170mm



## DIMENSIONS

Length: 780mm, Width: 480mm, Depth: 175 mm, Volume: 23L

## DESCRIPTION

Belonging to the Atlantic range, the Atlantic 780 inset sink is an extremely versatile option for your kitchen, bar or alfresco area. It features a medium-sized single bowl with a depth of 175mm and a single drainer attached. The overall size is only 780mm in length and 480mm wide, making it a great addition to a small kitchen, bar, alfresco, or even any kitchen with a dishwasher where a larger sink is unnecessary. The 780 inset sink is top-mounted, meaning it is made to sit on top of your bench, but its smaller size is certain to save precious benchtop space. The 304, 18/10 grade stainless steel construction adds to its practicality as it is guaranteed to last a lifetime, and at the same time, the attached side drainer allows you to retain full functionality for your space. It remains extremely popular despite being one of our longest-standing products, so we know there's a lot to love about it. A basket waste plug is included for free and we also cut a tap hole in the sink if you need one, at no extra charge. What's not to love!

- 780mm x 480mm x 175mm
- Single medium bowl, single drainer
- Extremely practical
- 304, 18/10 grade stainless steel
- Basket waste and tap holes included

## WARRANTY INFORMATION

- 25-Year Replacement Product Warranty\*
- Product replacement does not include installation or removal of the original product.
- Check product for damage before installation - installing a damaged product voids the warranty.

## IMPORTANT NOTICE

- All pictures and drawings on this brochure are representational only, changes in the product may have occurred since the time of print.
- All prices on this brochure and The Sink Warehouse website are subject to change without notice.
- It is strongly recommended that any cut-outs are made based on the individual product dimensions

To contact The Sink Warehouse email us at [info@sinkwarehouse.com.au](mailto:info@sinkwarehouse.com.au)