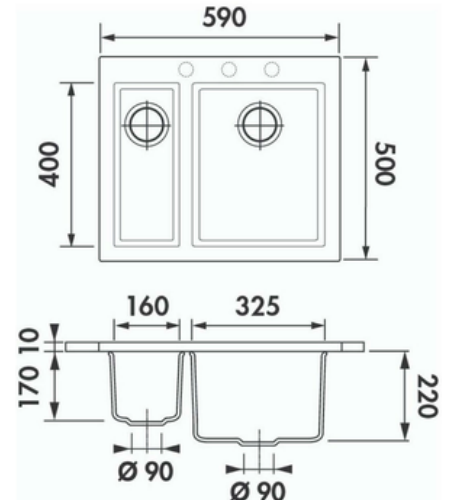
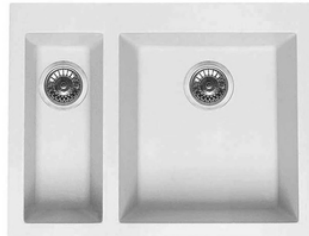
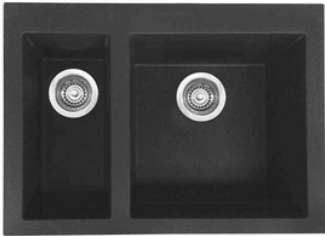




# QUAD150(BL/WH) - Quadrille 150 Granite Sink

QUAD150BL: 590mm (L) x 500mm (W) x 220mm (D)



## DIMENSIONS

Length: 590mm, Width: 500mm, Depth: 220mm, Volume: 29L/11L

## DESCRIPTION

- The Quadrille 150 is a modern, square, double bowl composite granite sink
- Designed to be installed inset or undermount
- Features one full-sized bowl and one 1/2-sized bowl, perfect for small spaces or as a bar sink
- Made in Italy
- Available in either Black or White
- Constructed from Luisigranit:
- Luisigranit is composed of 80% quartz (the hardest element of granite), 20% acryl (a high-quality polymer) and colour pigment
- Its high-quality materials and construction make it heat resistant, scratch-resistant, stain-resistant, and impact resistant
- The smooth Luisigranit stone makes it easy to clean
- The antibacterial properties create a highly hygienic surface
- The density of the Luisigranit stifles all sounds making for comfortable use
- Supplied with one 90mm basket waste
- No overflow

## WARRANTY INFORMATION

- 25-Year Replacement Product Warranty\* 2 Years Parts and Labour
- Product replacement does not include installation or removal of the original product.
- Check product for damage before installation - installing a damaged product voids the warranty.

## IMPORTANT NOTICE

- The dimensions of all ceramic products may vary from size guidelines due to material properties and the handmade manufacturing process.
- It is strongly recommended that any cut-outs made to your bench top are made based on the individual product dimensions.
- All pictures and drawings on this brochure are representational only, changes in the product may have occurred since the time of print.
- All prices on this brochure and The Sink Warehouse website are subject to change without notice.

To contact The Sink Warehouse email us at [info@sinkwarehouse.com.au](mailto:info@sinkwarehouse.com.au)